

Classic Bins

Keep your community clean.



**YOU CAN HAVE
CONFIDENCE
IN DEVAN**

DEVAN

Tauranga Factory & Sales

PO Box 2602
125 Birch Avenue, Judea
Tauranga
Phone: 0800 338 268
Email: tauranga@devan.co.nz

Christchurch Factory & Sales

PO Box 16720
26 Columbia Avenue, Hornby
Christchurch
Phone: 0800 500 026
Email: christchurch@devan.co.nz

Buy online or find more information @ www.devan.co.nz

VISIT www.devan.co.nz

Devan Classic Bins:

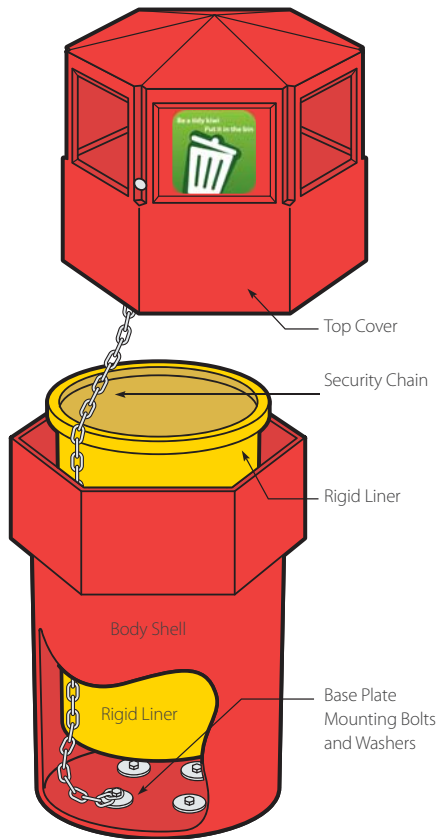
And here's four good reasons why...

1 USER FRIENDLY DESIGN

Devan Plastics "Classic Bins" are versatile and robust and can be easily installed to suit your specific requirements. With a choice between two base plates, the Classic Bins can be mounted permanently in specifically designated, high traffic areas for maximum accessibility. Designed to easily blend in with the environment, the Classic Bin enjoys a 'User Friendly' appeal with people, especially with young children.

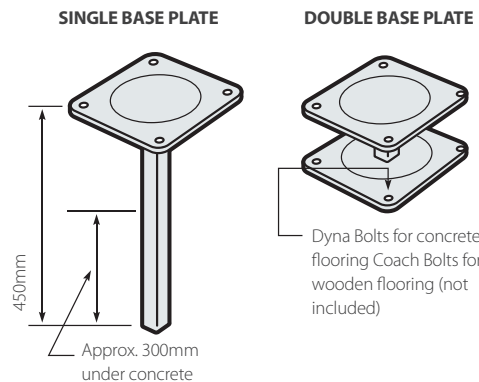
2 IDEAL CAPACITY

Classic Bins have a capacity of 3.5 cubic feet (0.099 cubic metres) and will either take inexpensive plastic bag liners or tough, durable rigid liners. The result is convenient and less frequent maintenance.



For illustrative purposes the rigid liner is shown in a contrasting colour.

Technical specifications are subject to change without prior notice.



3 ATTRACTIVE COLOURS

The bins and the rigid liners are both available in five bright, UV resistant standard colours (Orange, Red, Yellow, Green, Blue, Marble, Sandstone and Milstone).

Each Classic Bin features the official slogan of the Keep New Zealand Beautiful Council, 'Do the Right Thing.' These graphics are actually moulded-in the plastic during manufacture. There are no seams to gather dirt and they will not rub off, crack or peel, keeping their good appearance at all times.

4 SAFETY IN DESIGN AND IN FUNCTION

Unlike galvanised or painted steel bins, Classic Bins have no sharp edges, will not rust and will not become unsightly due to denting or paint deterioration.

Classic Bin lids (called top covers) look good and the covers stay in place even on windy days keeping the rubbish inside where it belongs.

Classic Bin top covers also have an optional safety feature. We have designed an exclusive Anti-Wasp Door Kit that will keep the wasps away from your bins. As the children are encouraged

to learn good habits, these doors will also keep the bin areas safe for them from wasps. Wasps are not only annoying but can also be dangerous.

These door kits should also keep unwanted odours in the bin and away from play areas. The Anti-Wasp perspex door kit attaches simply and conveniently to the bin's three openings. The door mechanism is spring loaded so there's no chance of it being left open. If specified in your order, the Anti-Wasp Door Kit will be mounted to the Top Covers in our factory with no installation charges.

As an added security feature, a chain can be attached to the top cover with the other end attached to one of the base plate bolts inside the bin as shown in the Classic Bin illustration.



YOU CAN HAVE
CONFIDENCE
IN DEVAN